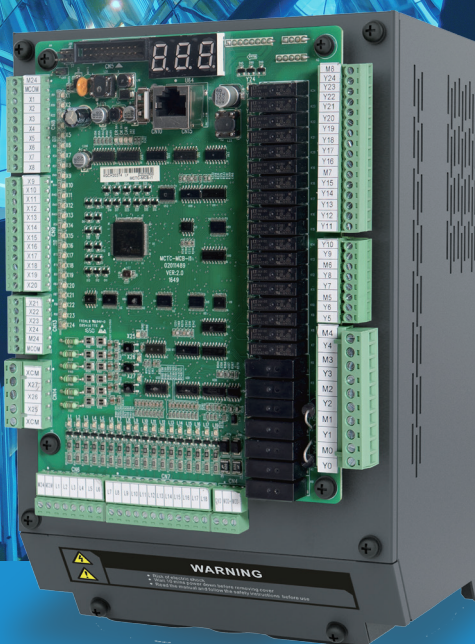
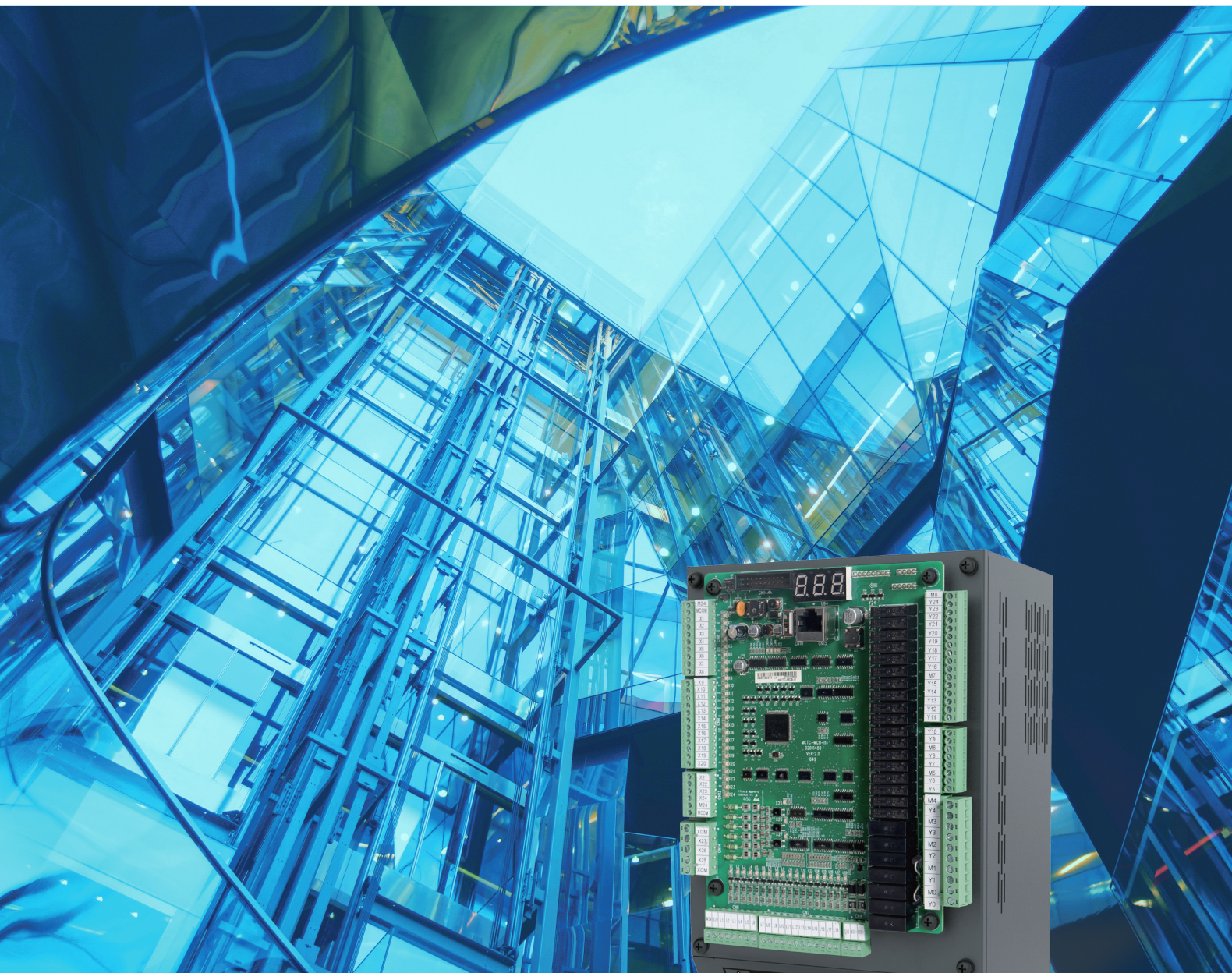


## NICE100+ Series

# Open loop integrated elevator control solution





# Open loop integrated solution for elevators $\leq 1.00$ m/sec

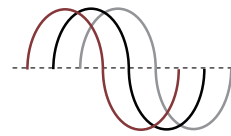
## Controller Features

- Supports 6 floor collective, expansion option up to 12 floors
- Selectable door control mode (automatic, manual, semi-automatic)
- Flexible & programmable I/O's
- Robust on-board relay for outputs
- Comprehensive trip diagnostics
- Supports double digit 7 segments, Binary, Grey codes display functions
- Built-in automatic rescue operation feature

Enhanced reliability with conformal coating, protects against humidity and dust pollution

Operation in high ambient temperatures   $45^{\circ}\text{C}_{\text{avg}}$

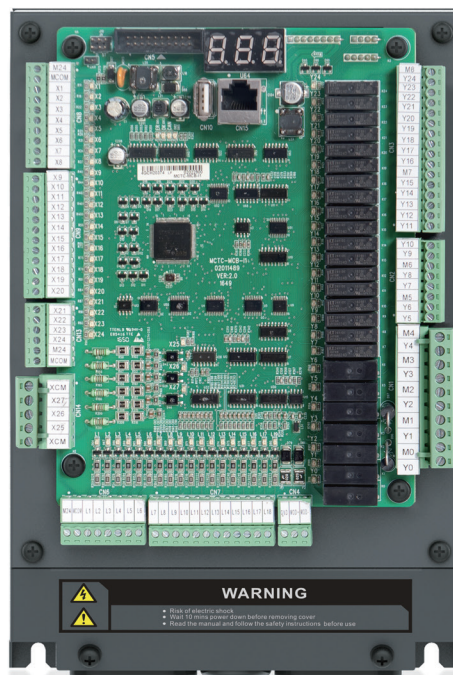
Wide operating voltage range 323 to 528 Vac



Conventional parallel wiring:  
12 floors full collective



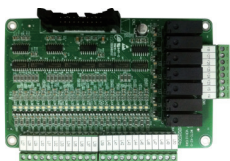
6 floors, full collective  
(standard base unit)



\*<sup>1</sup> Apps & \*<sup>2</sup> PC-Tools software offer simplified start up, diagnosis & backup



Double digits  
7 segment display



12 floors, full collective  
with expansion I/O's  
(MCTC-KZ-D)

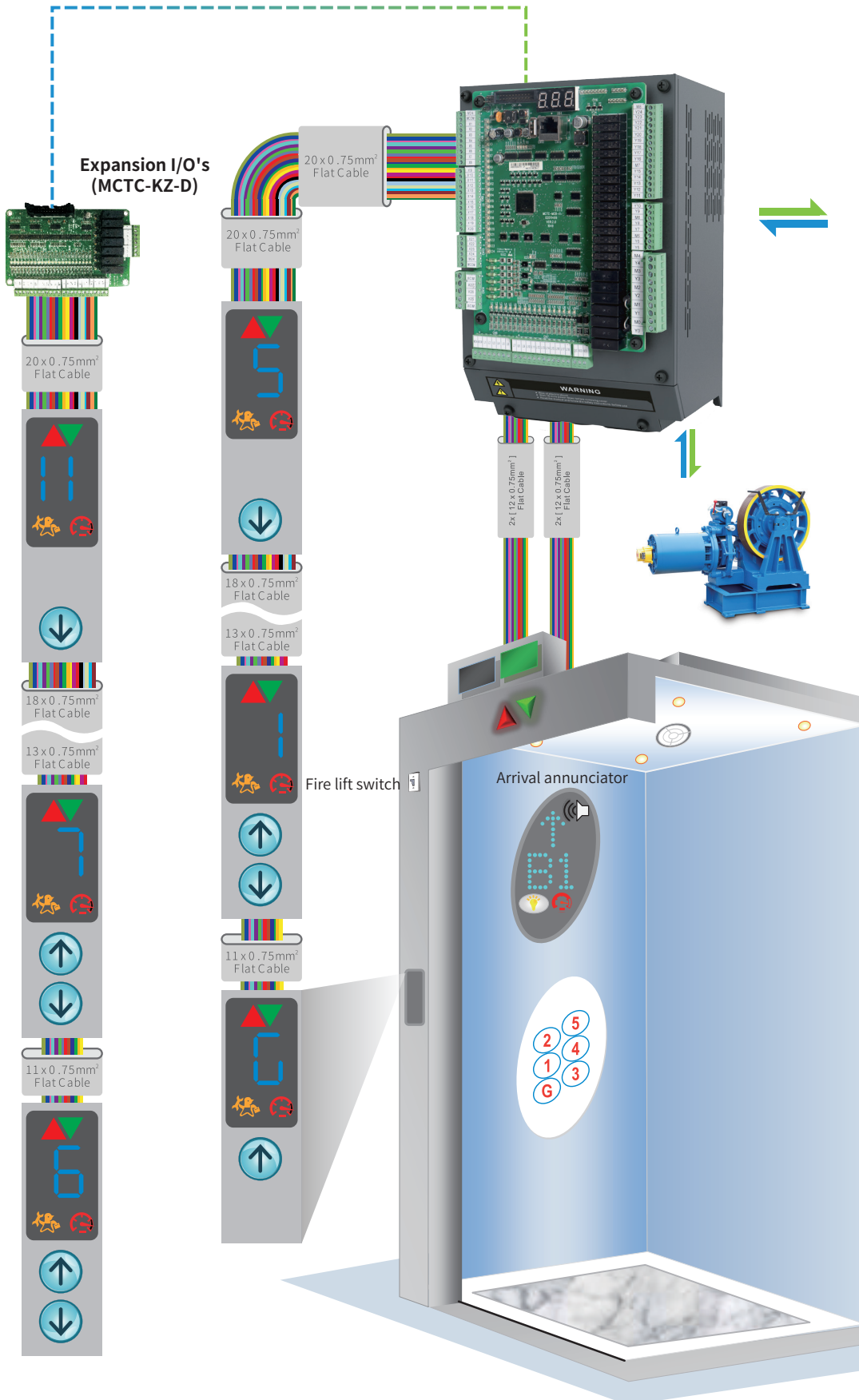


## Inverter Features

- Supports open loop asynchronous geared machine
- Smooth ride performance
- Integrated brake and motor output contactors control with monitoring
- Quick and Easy setup with factory default settings
- 6-Independent S-Ramps
- Better levelling accuracy
- 220Vac UPS supported rescue operation with Light load direction sensing

# General Connection Diagram

Standard 6 floors full collective, expansion 12 floors full collective



Optional: hot pluggable LED/LCD remote keypad

NEW



**\*3 MDKE9**

Multilingual keypad with memory.  
Languages include:  
English, Turkish, Italian and Russian

NEW



**MDKE6**

With memory for  
parameter upload/download



**MDKE**

Without memory

\*3 available soon

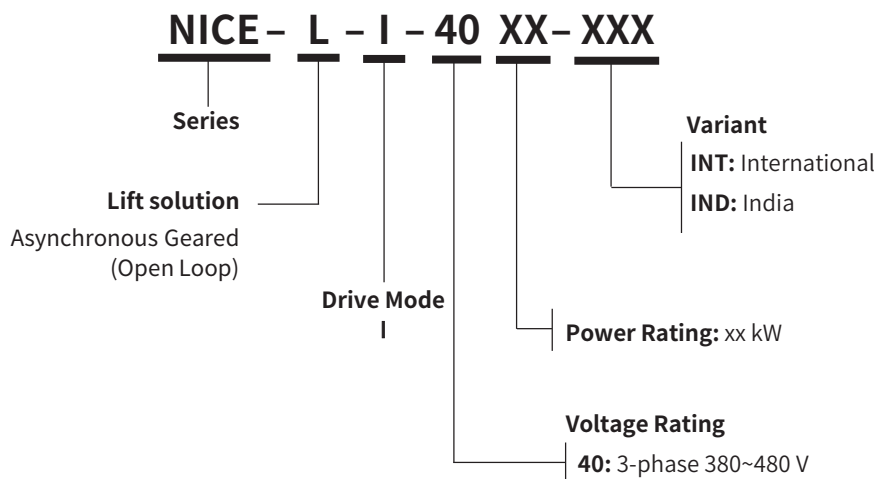
## Product Code



MODEL: NICE-L-I-4003  
 INPUT: 3PH AC 380-480 V 10.5A 50/60 Hz  
 OUTPUT: 3PH AC 0-440 V 9A 0-90 Hz 3.7 kW  
 Serial No.: 010302314K200112



Suzhou Inovance Technology Co., Ltd.



## General Specifications

380 to 480 Vac, -15% to +10% (323 to 528 Vac)

Model	Frame Size	Input Power [kVA]	Input Current [A]	*4 Output Current [A]	Typical Motor [KW]	Dynamic Braking Unit	Dynamic Braking Resistor		
							Min [Ω]	Max [Ω]	Recommended Power [W]
NICE-L-I-4003-XXX	C	5.9	10.5	9	3.7	Built-in	135	170	≥ 1,100
NICE-L-I-4005-XXX		8.9	14.8	13	5.5		90	115	≥ 1,600
NICE-L-I-4007-XXX	D	11	20.5	18	7.5	Built-in	65	85	≥ 2,500
NICE-L-I-4011-XXX		17	29	27	11		43	55	≥ 3,500
NICE-L-I-4015-XXX		21	36	33	15		35	43	≥ 4,500

\*4 Carrier switching frequency 6 kHz at rated output current @150% overload for 60 sec and @200% for 2 sec

Please note: all units have IP20 rated enclosures and are fan cooled

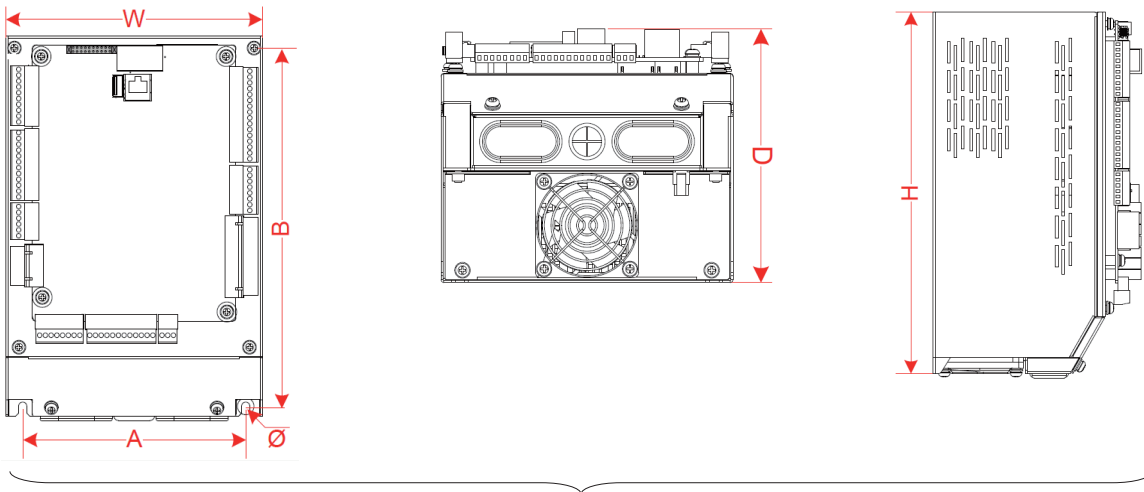


# Input RFI Filter & AC Line Reactor Specifications

380 to 480 Vac, -15% to +10% (323 to 528 Vac)

Model	Frame Size	Input Power [kVA]	Input Current [A]	Input RFI Filter Model		Input AC Line Reactor
				Changzhou Jianli	Schaffner	Inovance
NICE-L-I-4003-XXX	C	5.9	10.5	DL-16EBK5	FN 3258-16-33	MD-ACL-10-1.4-4T-2%
NICE-L-I-4005-XXX		8.9	14.8	DL-16EBK5	FN 3258-16-33	MD-ACL-15-0.93-4T-2%
NICE-L-I-4007-XXX	D	11.0	20.5	DL-25EBK5	FN 3258-30-33	MD-ACL-30-0.47-4T-2%
NICE-L-I-4011-XXX		17.0	29.0	DL-35EBK5	FN 3258-30-33	MD-ACL-30-0.47-4T-2%
NICE-L-I-4015-XXX		21.0	36.0	DL-50EBK5	FN 3258-42-33	MD-ACL-40-0.35-4T-2%

## Dimensions



Frame size C, D

Frame Size	Dimensions (mm)					Hole Diameter (mm)
	A	B	H	W	D	
C	148	235	248	170	145	5.5
D	150	345	359	220	179	7

## Design Compliance

- EMC Directive 2004/18/EC
  - EN 61800-3
  - EN 55011

- LVD Directive 2006/95/EC & 93/69/EEC
  - EN 61000-6-2
  - EN 61800-5-1